

HEAVY DUTY ROTATING METAL BELLOWS CARTRIDGE SEAL

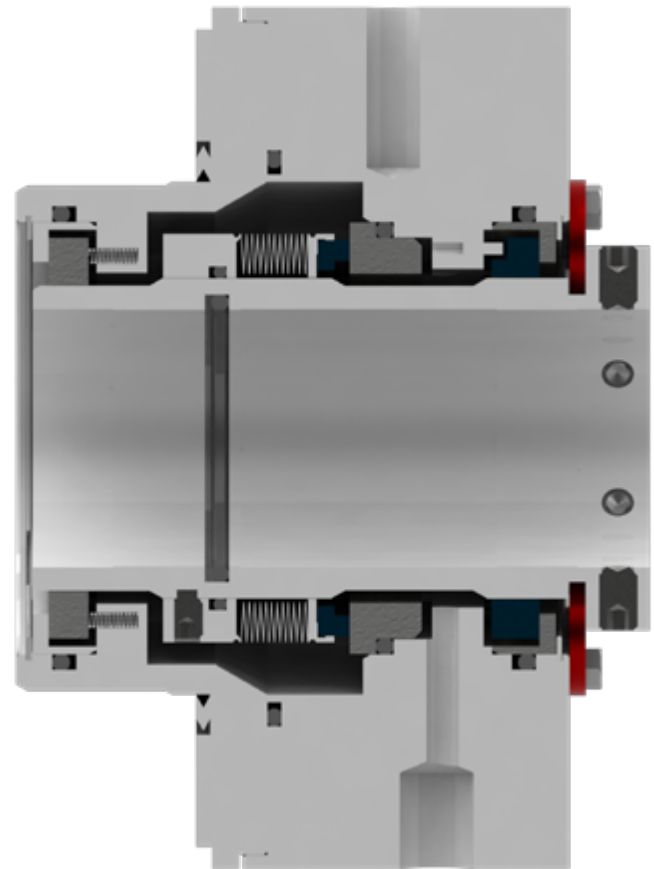
FOR MEDIUM TEMPERATURE AND DIRTY CRITICAL SERVICES

The Flexaseal Style 53 cartridge seal is specifically designed for ruggedness and durability to withstand higher temperature or dirty services. The rotating bellows is self-cleaning for greater reliability in dirty services.

Multiple bellows materials available based on process conditions and fluids. Double Ply bellows designs for higher pressures.

Static elastomers throughout for elimination of o-ring abrasion and energized face hang up.

The Style 53 cartridge seal is uniquely customizable to your specific application requirements. API 682 Compliant options are also available.



MATERIALS OF CONSTRUCTION

Faces	Antimony Impregnated Carbon, Nickel Bound Tungsten Carbide, Sintered Silicon Carbide, Graphite Loaded Silicon Carbide
Welded Bellows	AM350HT, Inconel 718™, Hastelloy C-276™. Single and Double-Ply bellows options available.
Gland Bushings	Bronze, Carbon
Lantern Ring	PTFE
Standard Metallurgy	316 SS with low-expansion Alloy 42 retainer. Other material options available, please consult Flexaseal.

OPERATING PARAMETERS

Max Temp	800°F
Max Pressure	400 PSIG
Max Speed	4500 FPM

* Max Temperature / pressure / speed indicate operating extremes independently and do not imply the seal will function at these extremes at the same time. Contact Flexaseal if in doubt.

HEAVY DUTY ROTATING METAL BELLOWS CARTRIDGE SEAL

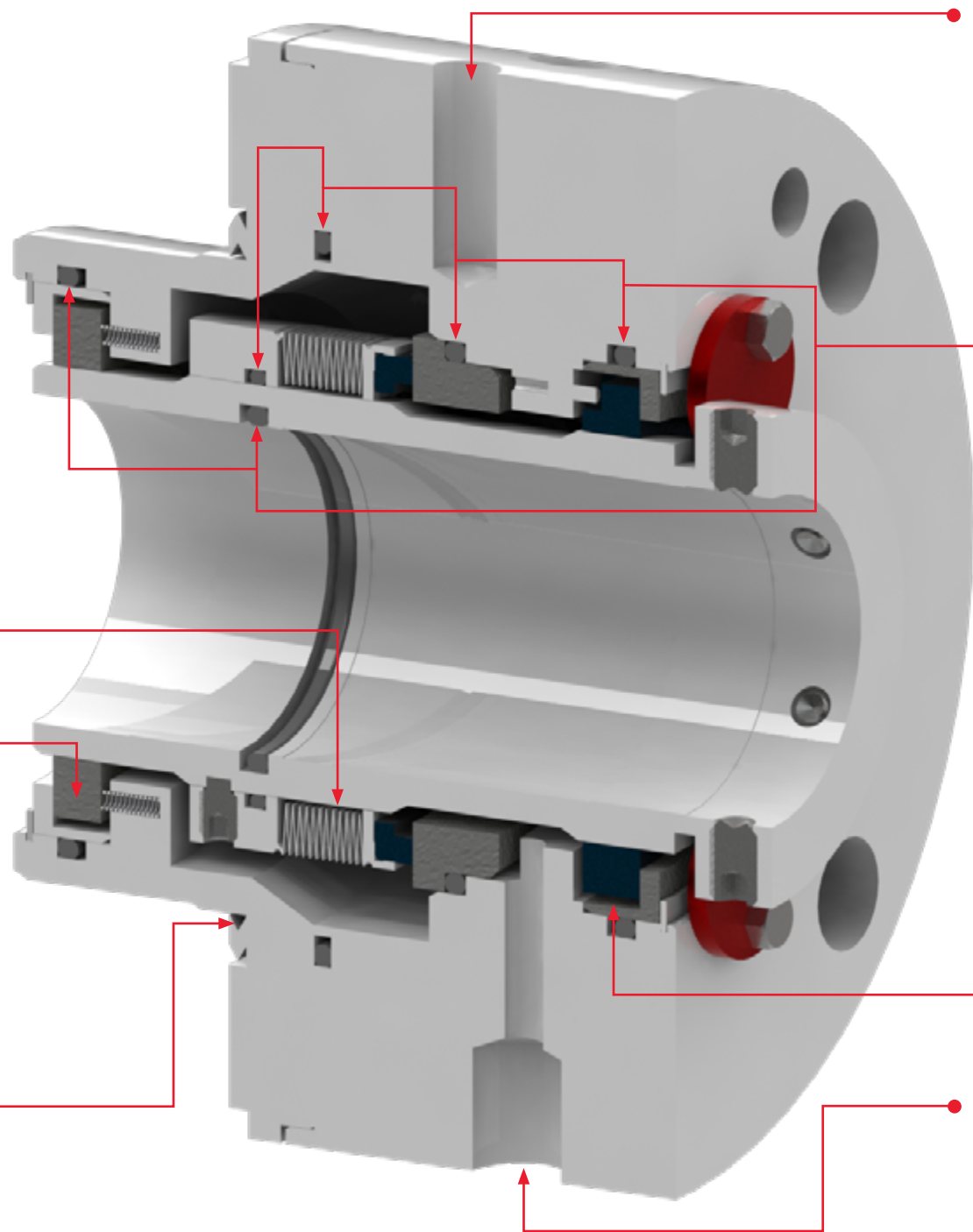
FOR MEDIUM TEMPERATURE AND DIRTY CRITICAL SERVICES

DESIGN FEATURES & BENEFITS

Proven high performance nesting ripple bellows design.

Optional Inboard Floating Bushing for enhanced particulate control.

Piloted gland with confined gasket to prevent blow out or extrusion.



Flush, Vent, Drain and Quench Ports Standard.

All Static Elastomers for elimination of o-ring abrasion and energized face hang up.

Optional Outboard Floating, Fixed or Segmented Bushing for leakage control.

Flush, Vent, Drain and Quench Ports Standard.